

Performance Package – Installation in P3-1 Guide Arm

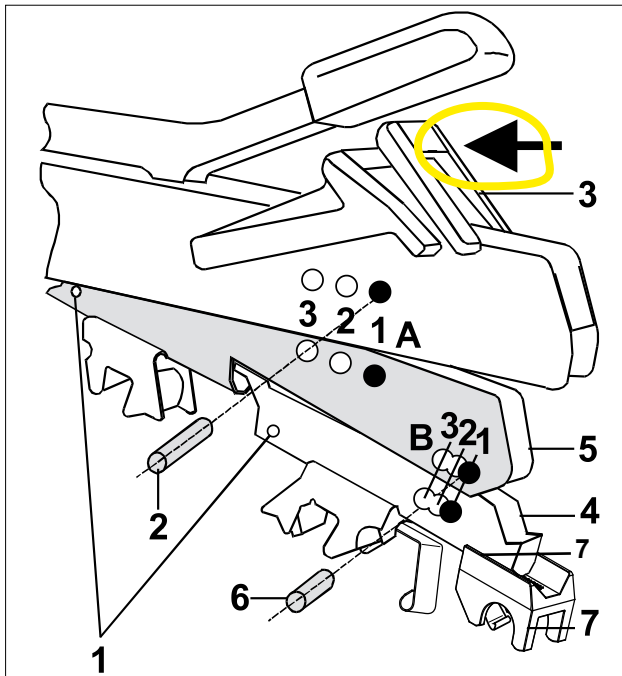


Fig. 1 - Basic setting with EliTop Classic

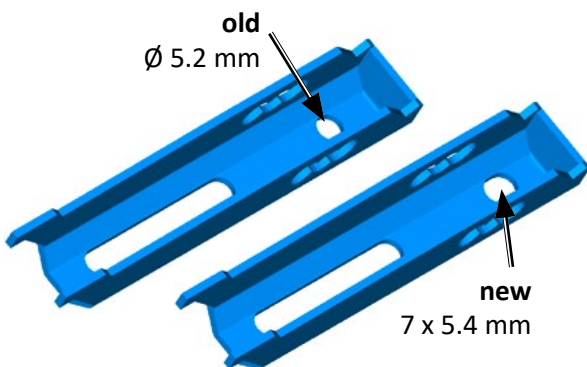


Fig. 2

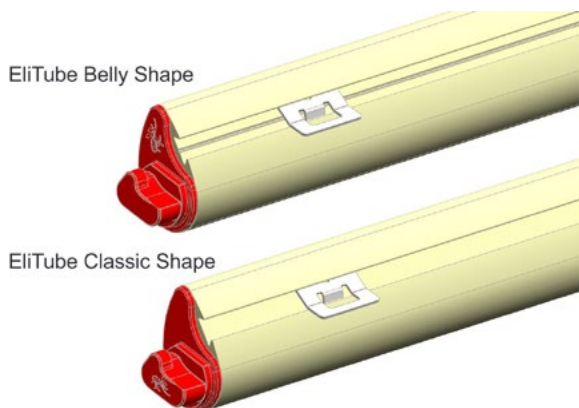


Fig. 3

- Open the guide arm.
- Push the clearer roller holder (3) back with the thumb.
- Push out the pin (2) from position A1 and remove the distributor (5) pulling it downwards.
- Push out the pin (6) from position B1 and remove the distributor (4) pulling it downwards.
- Replace the old distributor by the new distributor (10844310) with long hole (Fig. 2) and fix the existing bearing saddle for the cradle roller (8, Fig. 4) with the existing screw. Then fix the take-up 10954642 for the delivery roller of the EliTop (7, Figs. 1 and 4) with the existing screw.
- The Performance Package enables you to set a forehang of 6.5 mm instead of the standard forehang of 4.5 mm. If the EliTe®Take-up is fixed at the back stop of the long hole, the overhang is 4.5 mm. If it is fixed at the front stop of the long hole, the overhang is 6.5 mm.
- Please note that the JETSert must be used with the EliTube Classic Shape (Fig. 3). The JETSert must not be used with the EliTube Belly Shape (Fig. 3). If an EliTube Belly Shape is installed, always consult the SUESSEN engineering department before using a 6.5-mm offset.
- So that the user can identify whether the EliTube present is a “Classic Shape” or a “Belly Shape”, the EliTube Belly Shape has a marking flute in the dovetail groove (Fig. 3).
- The longer overhang helps to improve the spinning geometry and consequently the running properties.

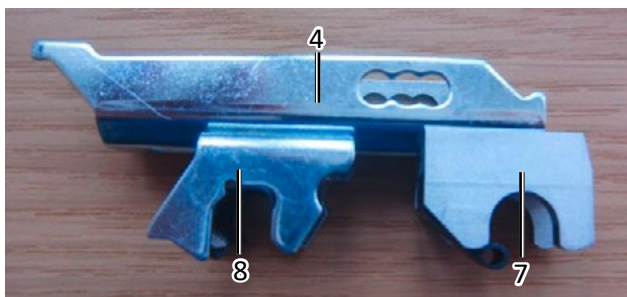


Fig. 4

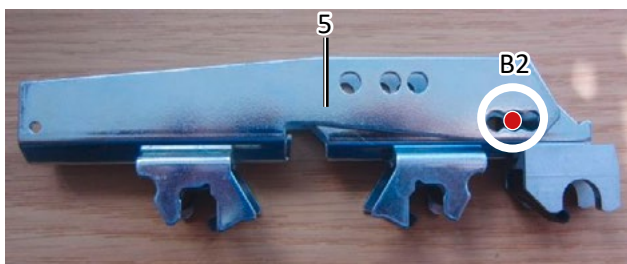


Fig. 5

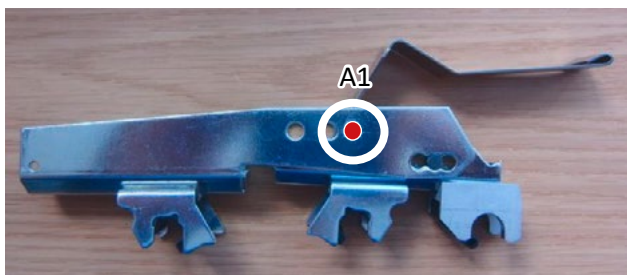


Fig. 6

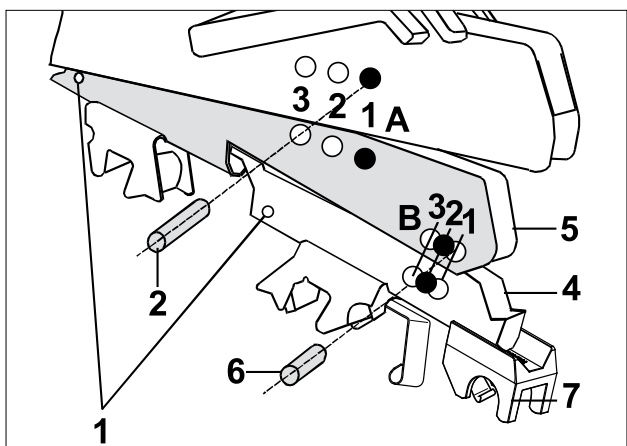


Fig. 7

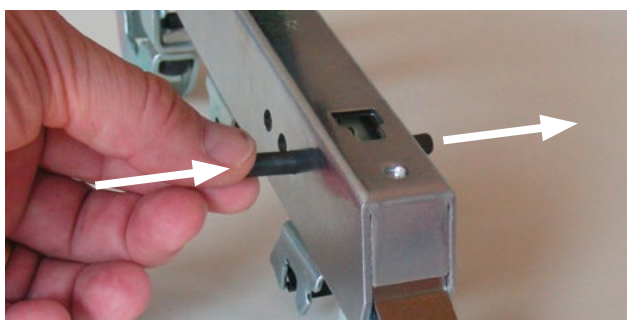


Fig. 8



NOTICE

When you set the 6.5 mm forehang, please take care that *JETSerts* are installed in the *EliTube*.

If a 6.5 mm overhang is used when spinning with standard inserts, the *EliTube* surface can be damaged.

- Push the front distributor (4, Fig. 4) into the rear distributor (5, Fig. 5).
 - Insert the pin in the correct position **B2** (Fig. 5).
 - Fix the new *EliSpring* for top arm type P3-1 (10955853) with the magnetic auxiliary pin* (10978005) \varnothing 6 x 20 mm (Fig. 6).
 - Insert the auxiliary pin in the correct position **A1** as shown in Fig. 6.
- The *EliSpring* does not work properly in another position – there will be malfunctions.
- Insert the combination of front and rear distributor with *EliTe*® Take-up and new *EliSpring* in the guide arm and align the **A1** holes (Fig.7).

- Use the original long pin to push the short auxiliary pin out of hole **A1** (Fig. 8).

* Auxiliary pin and *EliSpring* check gauge are not part of the performance package!



Fig. 9: Check gauge

Check the correct position of the EliSpring

- Please use check gauge* 10954577 (Fig. 9).

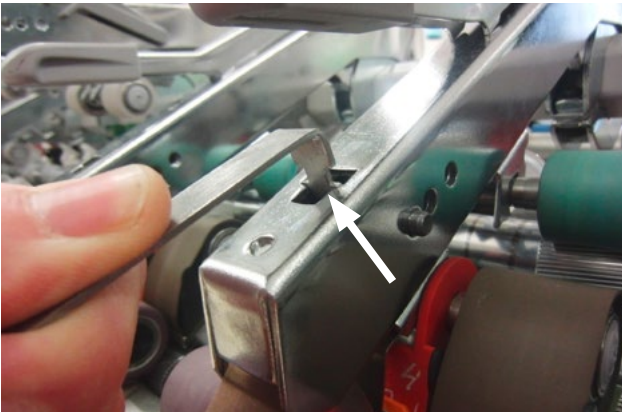


Fig. 10

- Remove the clearer roller holder from the top arm if necessary.
- Insert the check gauge in the notch (Fig. 10).

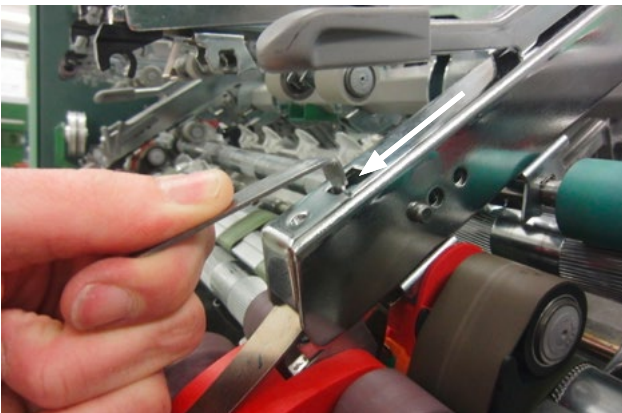


Fig. 11: Correct position of Elispring

- Pull the check gauge in the direction of the fibre path.

The EliSpring position is correct, if the check gauge can be pulled up to the narrow part of the notch (Fig. 11).



Fig. 12: Wrong position of Elispring – check gauge too high

The EliSpring position is wrong, if the check gauge cannot enter the notch properly – EliSpring is over the pin (Fig. 12).

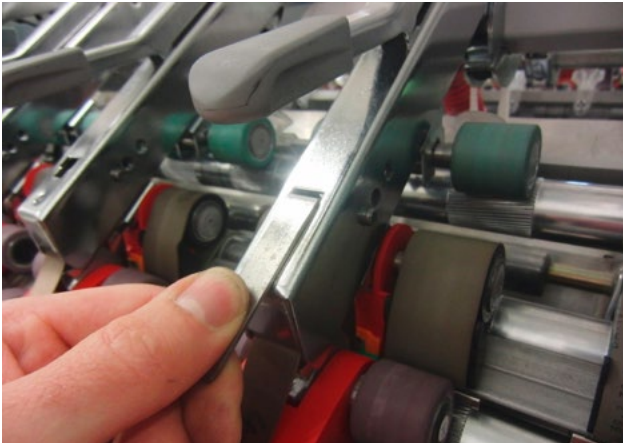


Fig. 13: Wrong position of EliSpring – check gauge too deep

The EliSpring position is also wrong, if the check gauge enters too deeply into the notch – EliSpring is under the pin (Fig. 13).



Fig. 14

Final action after correct setting

- Slide on the clearer roller holder in its original position (Fig. 14). This secures the positioning of the pins.

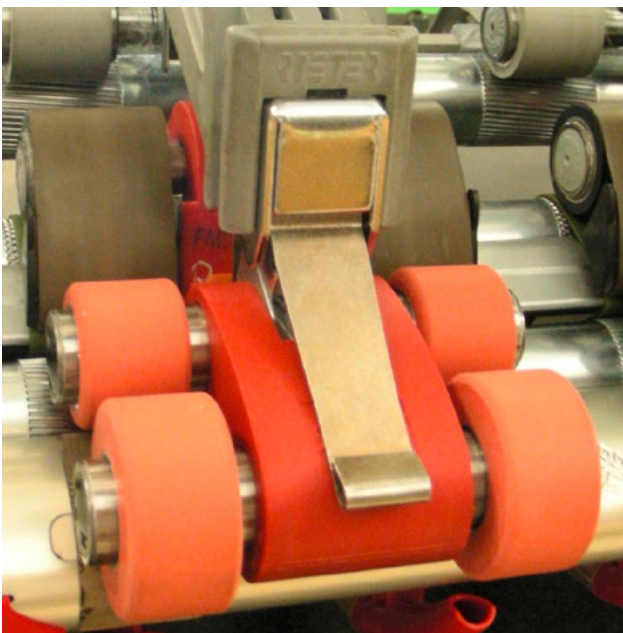


Fig. 15

Fig. 15 shows guide arm type P3-1 with new modified EliTe®P3-1 take-up (10954642), EliTop and EliSpring.

For all basic information concerning other features of the guide arm type P3-1 see our Technical Information SHI.7320 (chapter 8 of your EliTe®CompactSet manual).



NOTICE

All wrong positions of the EliSpring will result in wrong pressure on the top rollers.

Technische Änderungen vorbehalten
Technical modifications reserved

Reserva-se o direito de alterações técnicas
Reservado el derecho de modificaciones técnicas

Teknik deęişimlerin hakkı bizde saklıdır
Con riserva di modifichettecniche

Suessen

Spindelfabrik Suessen GmbH
Donzdorfer Strasse 4, D-73079 Süssen, Germany
Phone +49 (0) 7162 15-0-Fax +49 (0) 7162 15-367
e-mail: mail@suessen.com·http://www.suessen.com